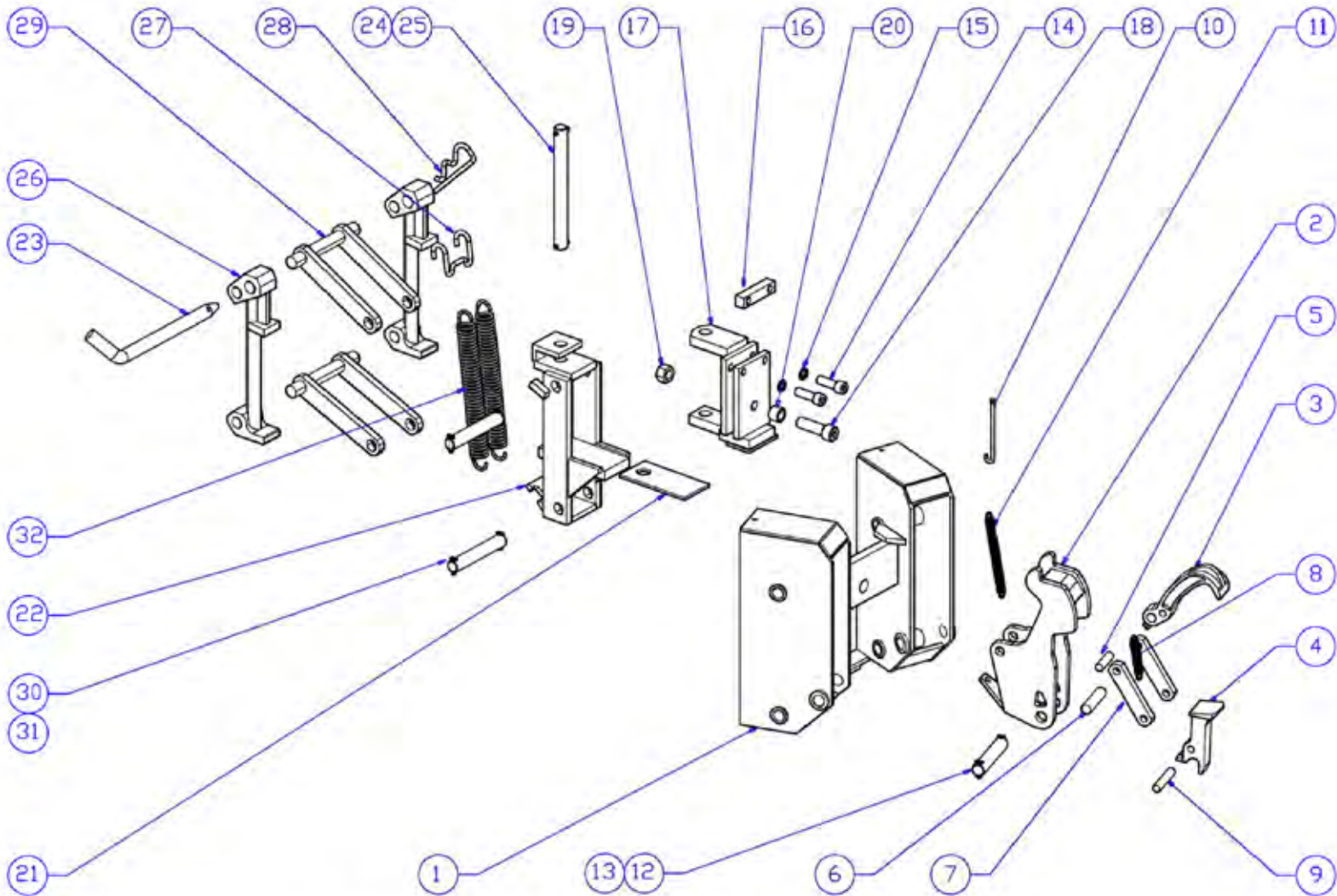


**PART LIST FOR 1-DCM-BC-ADJ-SOM**

No.	Part Number	Qty	Description
1	4006	1	Double Clamping Mechanism Assembly
2	4019-L	1	Belt Cradle Assembly
3	2060-3HD	1	Slide-On Mounting Frame

**PART LIST FOR 2-DCM-BC-ADJ-SOM**

No.	Part Number	Qty	Description
1	4006	2	Double Clamping Mechanism Assembly
2	4019-L	2	Belt Cradle Assembly
3	2060-3HD	1	Slide-On Mounting Frame



Double-Head Clamping Mechanism Assembly

DCM Assembly #4006





**Liftomatic Material Handling, Inc.**

700 Dartmouth Lane  
Buffalo Grove, IL 60089

Phone 847 325-2930  
Fax 847 325-2959  
Toll Free 800 837-6540

**PART LIST for DOUBLE CLAMPING MECHANISM  
DCM #4006**

<b>No.</b>	<b>Part Number</b>	<b>Quantity</b>	<b>Description</b>
1	2026	1	OUTER HOUSING (DOUBLE)
2	2097	2	INNER HOUSING
3	7001	2	UPPER JAW, CLAMP
	7001-SRJ		SPARK-RESISTANT UPPER JAW, CLAMP
4	7015	2	LOWER JAW, CLAMP
	7015-SRJ		SPARK-RESISTANT LOWER JAW, CLAMP
5	14027	2	PIN, LINK TO UPPER JAW
6	16001	2	PIN, UPPER JAW TO HOUSING
7	19007	4	LINK, JAW TO JAW
8	6034	2	SPRING, JAW TO JAW
9	14026	2	PIN, LINK TO LOWER JAW
10	6999	2	HOOK, HOUSING SPRING
11	6022	2	SPRING, HOUSING TO HOUSING
12	16008-1	2	PIN, HOUSING TO HOUSING
13	6006-CP	4	COTTER PIN
14	6101	2	CAP SCREW
15	6077	2	LOCK WASHER
16	43020-1	1	SPACER, UNIVERSAL BODY
17	2029	1	UNIVERSAL BODY
18	6102	1	TRUNNION BOLT
19	6091	1	LOCK NUT (or NUT & WASHER)
20	10001	1	BUSHING, HOUSING YOKE
21	19006-1	1	WEAR PLATE, UNIVERSAL CARRIER
22	2027	1	UNIVERSAL CARRIER
23	16019-1	1	ADJUSTMENT PIN
24	16015-1	1	PIN, UNIVERSAL BODY TO CARRIER
25	6006-CP	1	COTTER PIN
26	7007-1	2	ADJUSTMENT SLIDE
27	6998	1	HOOK, CLEVIS SPRING
28	6107	1	HAIR PIN CLIP, ADJUSTMENT PIN
29	2023	2	CLEVIS
30	16007-1	2	PIN, CLEVIS TO UNIVERSAL CARRIER
31	6006-CP	4	COTTER PIN
32	6024	2	SPRING, CLEVIS

**Liftomatic Material Handling, Inc.**

700 Dartmouth Lane  
Buffalo Grove, IL 60089

Phone 847 325-2930  
Fax 847 325-2959  
Toll Free 800 837-6540

**PART LIST FOR BELT CRADLE ASSEMBLY  
#4019-L**

No.	Part Number	Quantity	Description
1	2094	1	BELT CRADLE FRAME
2	6152	1	ALL PURPOSE COTTON NYLON BELT
	6153		RUBBER BELT
	6158		HEAVY DUTY PVC BELT
	6159-SRJ		SPARK RESISTANT BELT
3	2096	1	CLAMP-ADJUSTING ROD
4	40022-1	2	BELT CLAMP
5	6106	8	HEX HEAD SCREW
6	6092	8	HEX NUT, 5/16-18
7	6093	2	HEX NUT, 5/8-11
8	4081	1	CARRIER LOCK PIN ASSEMBLY

